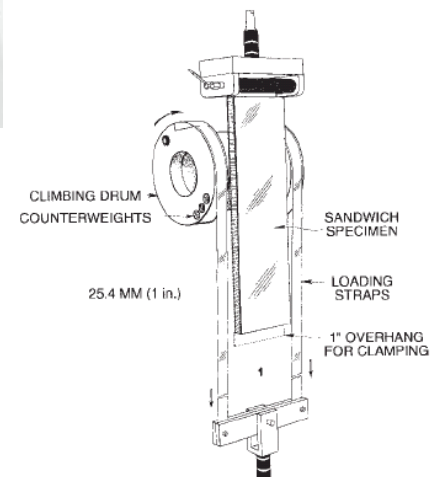


GD1781-115 – Climbing Drum Peel Test Fixture per ASTM D 1781

Drum Peel Test Device Requirements – ASTM D1781 specifies test fixtures for determining the adhesive properties between a relatively flexible adherand and a stiff adherand. The GD1781-115 fixture meets these requirements.

The fixture is built to suit the specifications assigned in ASTM D1781 for a peeling apparatus. The Apparatus consists of a flanged drum, flexible loading straps, and specified clamps for holding the test specimen. The dimensions were modeled per ASTM.



**Testing Apparatus per
ASTM D1781**

Contact an application engineer to configure a solution to your application requirements. (1-800-430-6536)

Reference: ASTM Standard D 1781, 2004, “ASTM D 1781, Standard Test Method for Climbing Drum Peel for Adhesives,” ASTM International, West Conshohocken, PA, 2007, www.astm.org.